



Customised Laser Printing

African Closures offers customized solutions for laser marking on the inside of high volume closures to enable exciting marketing opportunities within the food, beverage or industrial categories.

Our high speed UV laser marking system delivers an outstanding quality print in contrasting colour that stands out boldly against any solid colour of the closure, including white. This makes it easy to read for maximum impact.

Our laser marking technology is approved as safe for food contact applications without any risk of contamination.

Why not explore how our laser printing can help create innovative and engaging brand experiences for your consumers today?

Marketing Opportunities:

- Brand building (logo's)
- Collectable campaigns (set of symbols to complete set)
- Link to product or additional regulatory info (barcode)
- Link to digital campaign or promotion (QR)
- Instant win competitions (randomized, unique alpha numeric characters)

Suitable Closures:

- 28 mm 1881
- 38 mm PET
- 38 mm C5

Customised Laser Printing

Technical Guidelines

Features:

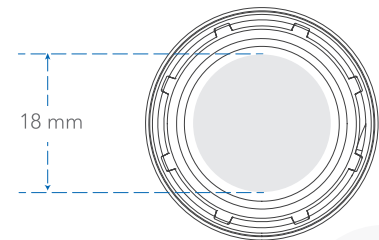
- Laser marking in mono colour
- Any closure with a solid colour
- No setup costs (utilizes software, no plates)
- Short leadtimes
- Quick changeovers
- Smudge resistant
- Food safe

Marking Capabilities:

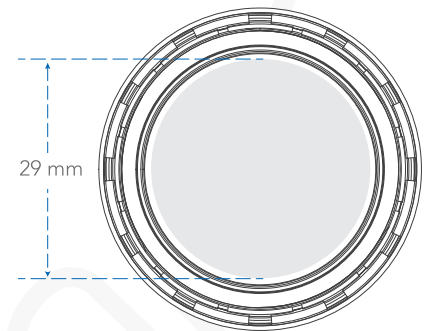
- Text and symbols from any font family
- Option of importing specific fonts
- Basic images from vector files
- Image formats: bmp, jpg, jpeg, png, gif, tga, tif, tiff
- QR codes
- 2D and linear barcodes
- Random sequencing possible for unique codes (alpha numeric)

Laser Print Areas:

Refer below for maximum allowable laser print area



28mm 1881 Closure



38mm PET & C5 Closures

For printing enquiries, please contact:
acprinting@polyoak.co.za